

MIMU22BL/MIMU42BL i/o map

Package and Pinout of MIMU22BL/MIMU42BL

Revision 1.0

R&D Centre:

GT Silicon Pvt Ltd

171 MIG, Awadhपुरi, Block B,
Lakhanpur

Kanpur (UP), India, PIN – 208024

Tel: +91 512 258 0039

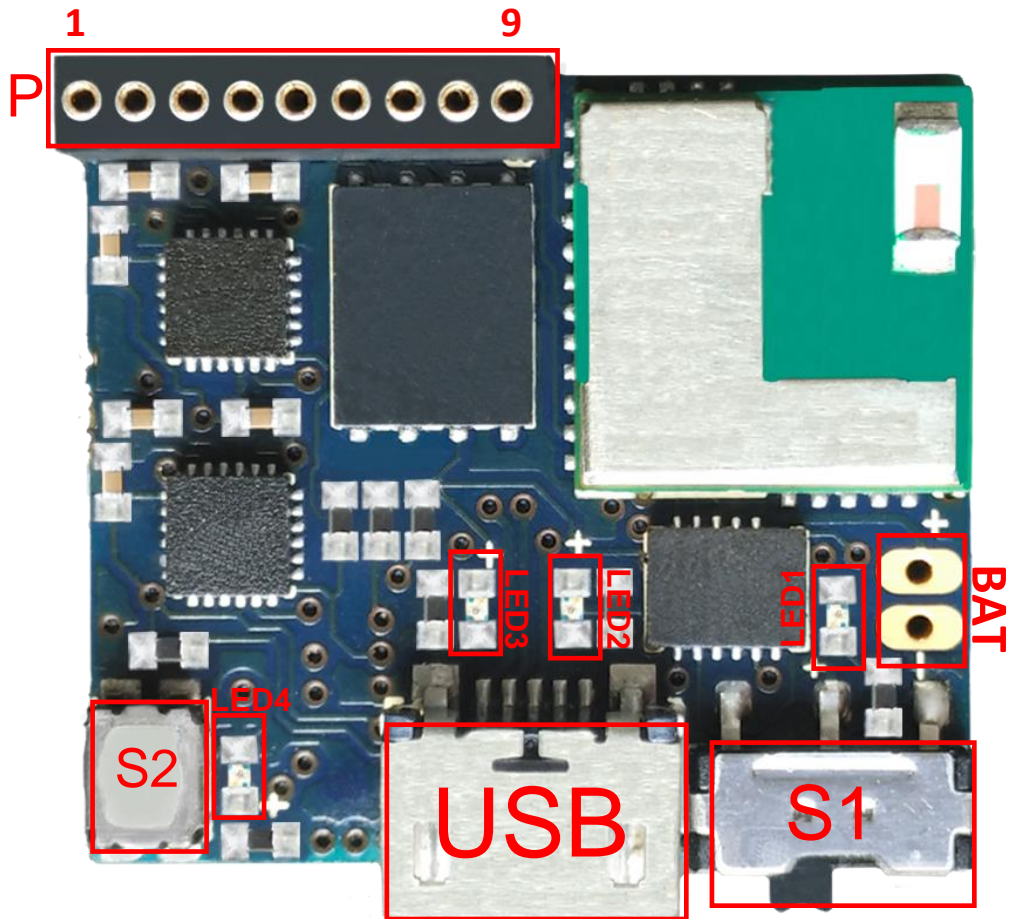
Mobile: +91-700-741-0690

Email: info@inertialelements.com

URL: www.inertialelements.com

www.gt-silicon.com

© 2018, GT Silicon Pvt Ltd, Kanpur, India

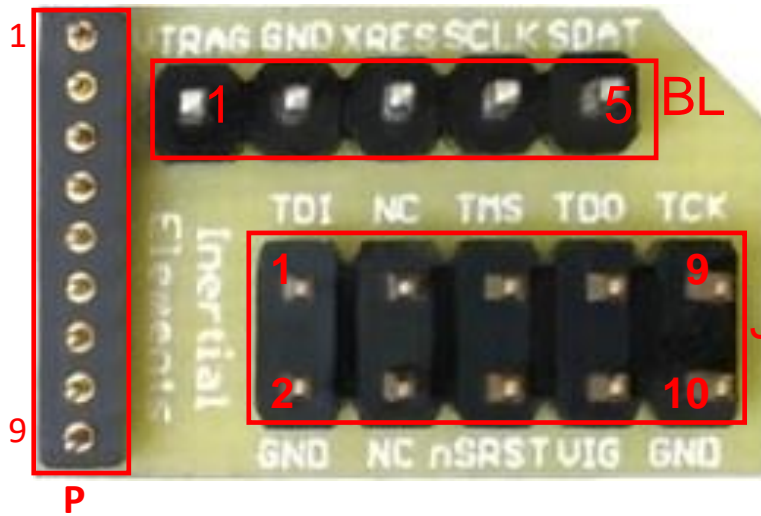


MIMU22BL/MIMU42BL : TOP VIEW

Common Switch & Connectors	
S1	On/Off Switch
S2	Bootloading Switch
LED1	Bat. Charging
LED2	BLE Pairing
LED3	Board Powered Up
LED4	Optional/Test

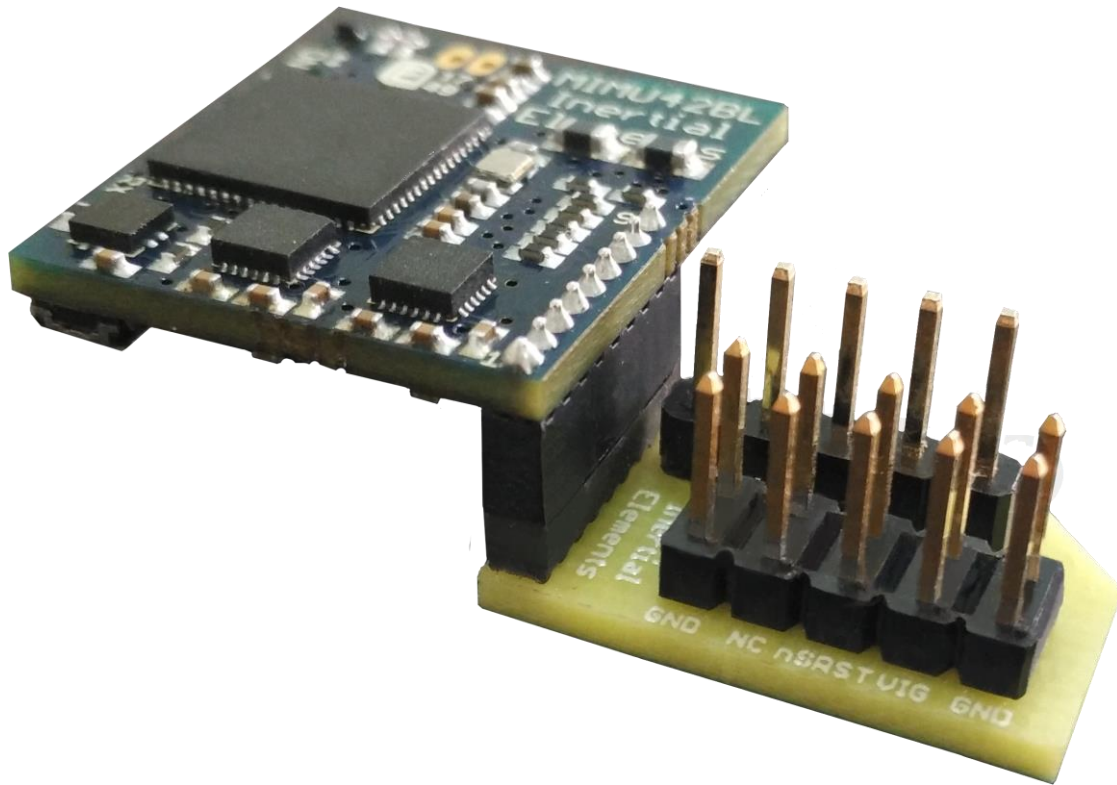
P	
1	TDI
2	TDK
3	RESET_N
4	TDO
5	TMS
6	SWDCLK
7	SWDIO
8	3.3V
9	GND

BL	
1	VTRAG
2	GND
3	XRES
4	SCLK
5	SDAT



J	
1	TDI
2	GND
3	NC
4	NC
5	TMS
6	nSRST
7	TDO
8	VIG
9	TCK
10	GND

MIMU22BL/MIMU42BL CONNECTOR: TOP



Connection between MIMU22BL/MIMU42BL and the MIMU22BL/MIMU42BL Connector

Pins	Descriptions	Interfacing module
TCK	Clock	JTAG Controller
TD (I/O)	Input /output	JTAG Controller
TMS	Master / Slave	JTAG Controller
GND	Ground	JTAG Controller
RST_N	Reset	JTAG Controller
3.3V	Supply	JTAG Controller

Pins	Descriptions	Interfacing module
3.3 V	Supply	JTAG BLE
GND	Ground	JTAG BLE
RST_N/ XRES	Reset	JTAG BLE
SWDCLK / SCLK	Clock	JTAG BLE
SWDIO	Input/Output	JTAG BLE

References:

- [1] [Datasheet –ICM-20948](#)
- [2] [CYBLE-022001-00. “EZ-BLE™ PRoC™ Module” Document Number: 001-95662, Rev. I.](#)
- [3] [AT32UC3C90512C, Atmel 32 Bit Microcontroller Datasheet.](#)